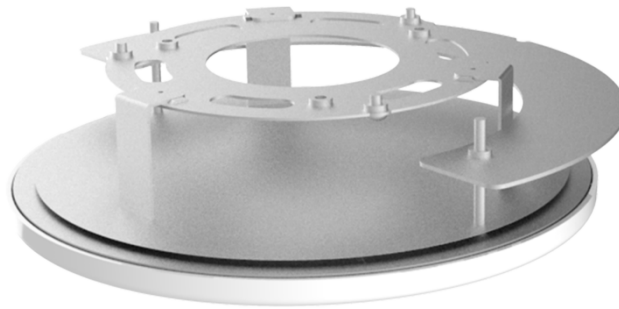


In-ceiling Bracket for 323 Series Fix-dome

TR-FM152-A-IN

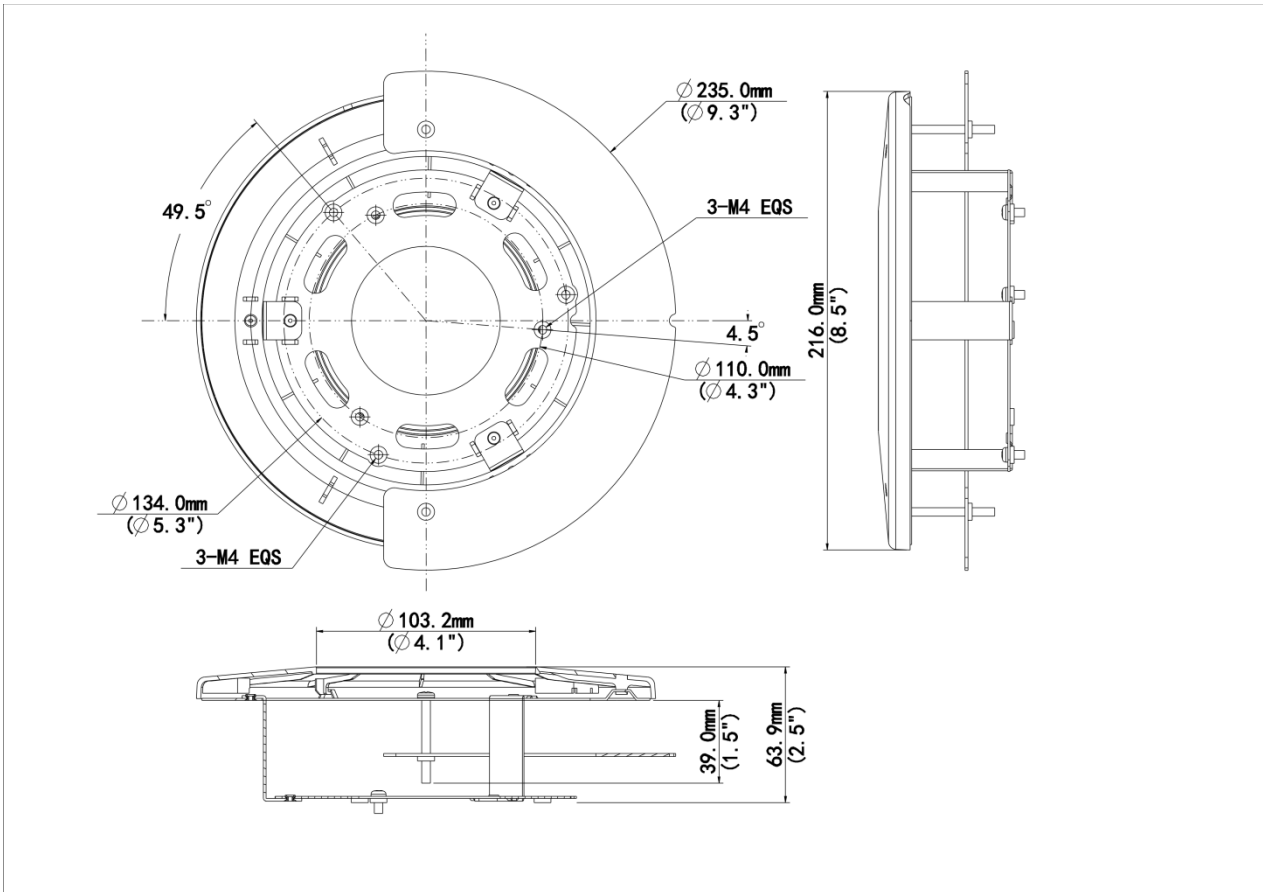


Specifications

| | |
|--------------------|---|
| Model | TR-FM152-A-IN |
| Bracket | |
| Application | Indoor, indoor fixed dome in-ceiling installation |
| Bracket Dimensions | $\Phi 235\text{mm} \times 63\text{mm} (\Phi 9.3'' \times 2.5'')$ In-ceiling hole: $\Phi 216\text{mm} (\Phi 8.5'')$ |
| Bracket Weight | 0.49kg(1.1lb) |
| Bracket Material | Sheet metal and ABS |

Dimensions

Aggregate product size diagram using "main model" as an example



Zhejiang Uniview Technologies Co., Ltd.

No. 369, Xietong Road, Xixing Sub-district, Binjiang District, Hangzhou City, 310051, Zhejiang Province, China (Zhejiang) Pilot Free Trade Zone, China

Email: overseasbusiness@uniview.com; globalsupport@uniview.com

<http://www.uniview.com>

©2024-2025 Zhejiang Uniview Technologies Co., Ltd. All rights reserved.

*Product specifications and availability are subject to change without notice.

*Despite our best efforts, technical or typographical errors may exist in this document. Uniview cannot be held responsible for any such errors and reserves the right to change the contents of this document without prior notice.